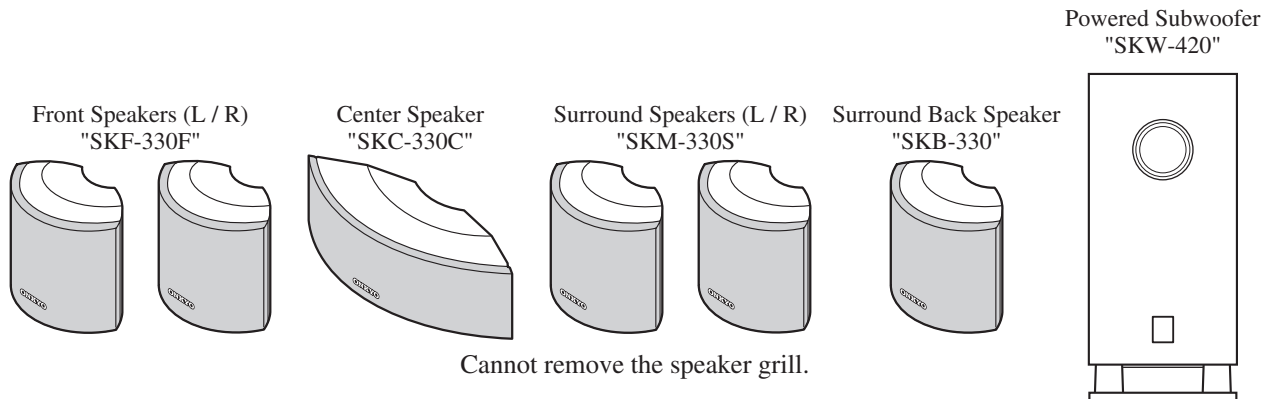


ONKYO SERVICE MANUAL


6.1-CH HOME THEATER SPEAKER PACKAGE MODEL HTP-430(B)/(S)



Black and Silver models

B MDD	120V AC, 60Hz	S MDD	120V AC, 60Hz
B MPA	230-240V AC, 50Hz	S MPA	230-240V AC, 50Hz

SAFETY-RELATED COMPONENT WARNING!!

COMPONENTS IDENTIFIED BY MARK  ON THE SCHEMATIC DIAGRAM AND IN THE PARTS LIST ARE CRITICAL FOR RISK OF FIRE AND ELECTRIC SHOCK. REPLACE THESE COMPONENTS WITH ONKYO PARTS WHOSE PART NUMBERS APPEAR AS SHOWN IN THIS MANUAL.

MAKE LEAKAGE-CURRENT OR RESISTANCE MEASUREMENTS TO DETERMINE THAT EXPOSED PARTS ARE ACCEPTABLY INSULATED FROM THE SUPPLY CIRCUIT BEFORE RETURNING THE APPLIANCE TO THE CUSTOMER.

SPECIFICATIONS

■ Powered Subwoofer (SKW-420)

Type :	Bass-reflex with built-in power amplifier
Input sensitivity / impedance :	220 mV / 15 k ohm
Maximum output power :	150 W
Frequency response :	30 Hz - 150 Hz
Cabinet capacity :	1.15 cubic feet (32.5 L)
Dimensions (W x H x D) :	9-1/4" x 20-3/8" x 16-3/16" (235 x 518 x 411 mm)
Weight :	28.2 lbs. (12.8 kg)
Driver unit :	8" (20 cm) Cone (Woofer)
Power supply :	
North American :	AC 120 V, 60 Hz
Australian :	AC 230-240 V, 50 Hz
Power consumption :	
North American :	75 W
Australian :	77 W
Other :	Auto Standby function

■ Center Speaker (SKC-330C)

Type :	2 Way Bass-reflex
Impedance :	8 ohm
Maximum input power :	100 W
Output sound pressure level :	86 dB/W/m
Frequency response :	80 Hz - 22 kHz
Crossover frequency :	10 kHz
Cabinet capacity :	0.081 cubic feet (2.3 L)
Dimensions (W x H x D) :	14-3/16" x 5" x 5-3/16" (360 x 127 x 131 mm)
Weight :	3.5 lbs. (1.6 kg)
Drivers unit :	3-1/8" (8 cm) Cone (Woofer) x 2 3/4" (2 cm) Ceramic (Tweeter)
Terminal :	Spring type color coded
Key hole slot :	2
Threaded insert :	North American model : 1/4" screw, Depth 5/16" Other models : 5 mm screw, Depth 8 mm
Grille :	Fixed
Other :	Magnetic shielding

■ Front Speaker (SKF-330F)

Type :	2 Way Bass-reflex
Impedance :	8 ohm
Maximum input power :	100 W
Output sound pressure level :	83 dB/W/m
Frequency response :	80 Hz - 22 kHz
Crossover frequency :	10 kHz
Cabinet capacity :	0.042 cubic feet (1.2 L)
Dimensions (W x H x D) :	5-13/16" x 7-15/16" x 4" (148 x 202 x 101 mm)
Weight :	2.0 lbs. (0.9 kg)
Drivers unit :	3-1/8" (8 cm) Cone (Woofer) 3/4" (2 cm) Ceramic (Tweeter)
Terminal :	Spring type color coded
Key hole slot :	1
Threaded insert :	North American model : 1/4" screw, Depth 5/16" Other models : 5 mm screw, Depth 8 mm
Grille :	Fixed
Other :	Magnetic shielding

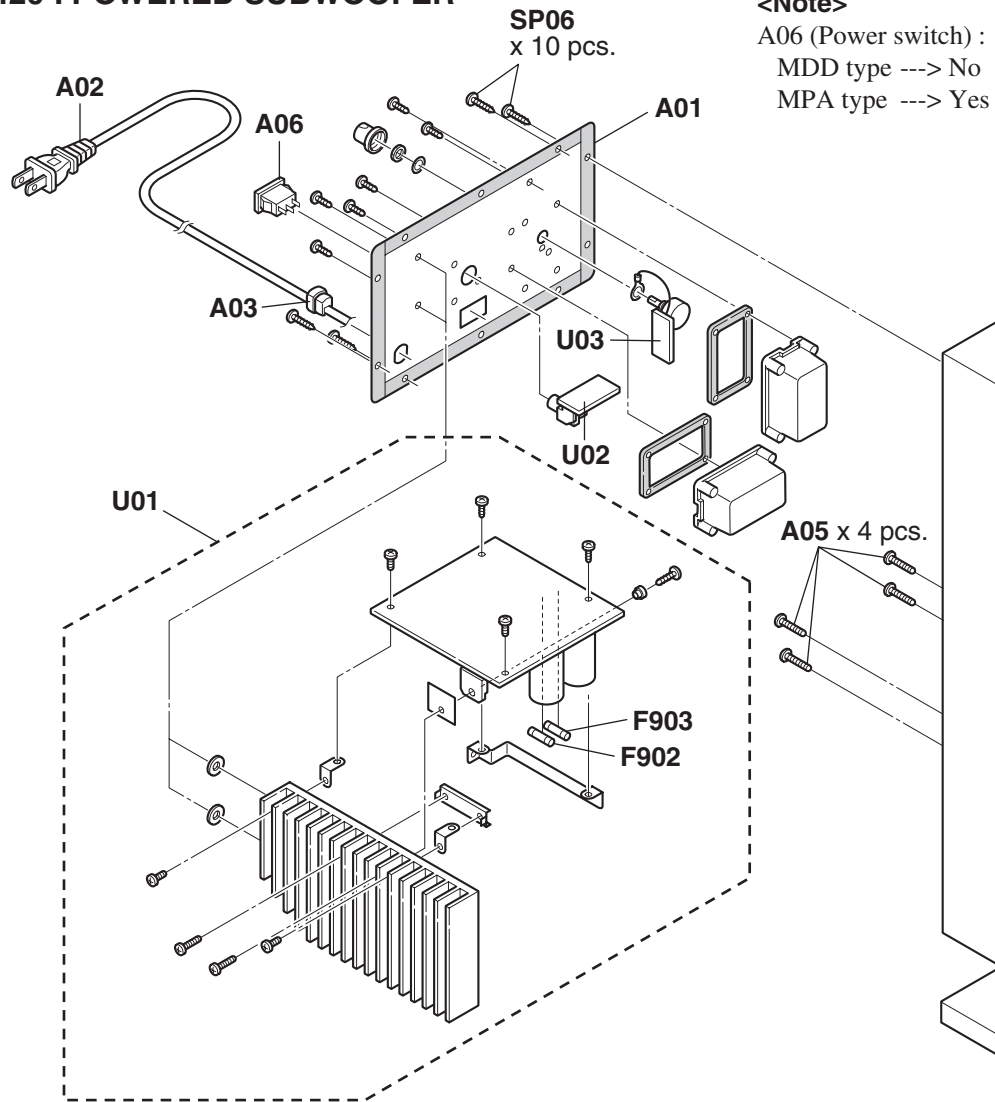
■ Surround Speaker (SKM-330S / SKB-330)

Type :	2 Way Bass-reflex
Impedance :	8 ohm
Maximum input power :	100 W
Output sound pressure level :	82 dB/W/m
Frequency response :	80 Hz - 22 kHz
Crossover frequency :	10 kHz
Cabinet capacity :	0.042 cubic feet (1.2 L)
Dimensions (W x H x D) :	5-13/16" x 7-15/16" x 4" (148 x 202 x 101 mm)
Weight :	1.5 lbs. (0.7 kg)
Drivers unit :	3-1/8" (8 cm) Cone (Woofer) 3/4" (2 cm) Ceramic (Tweeter)
Terminal :	Spring type color coded
Key hole slot :	1
Threaded insert :	North American model : 1/4" screw, Depth 5/16" Other models : 5 mm screw, Depth 8 mm
Grille :	Fixed

Specifications and appearance are subject to change without prior notice.

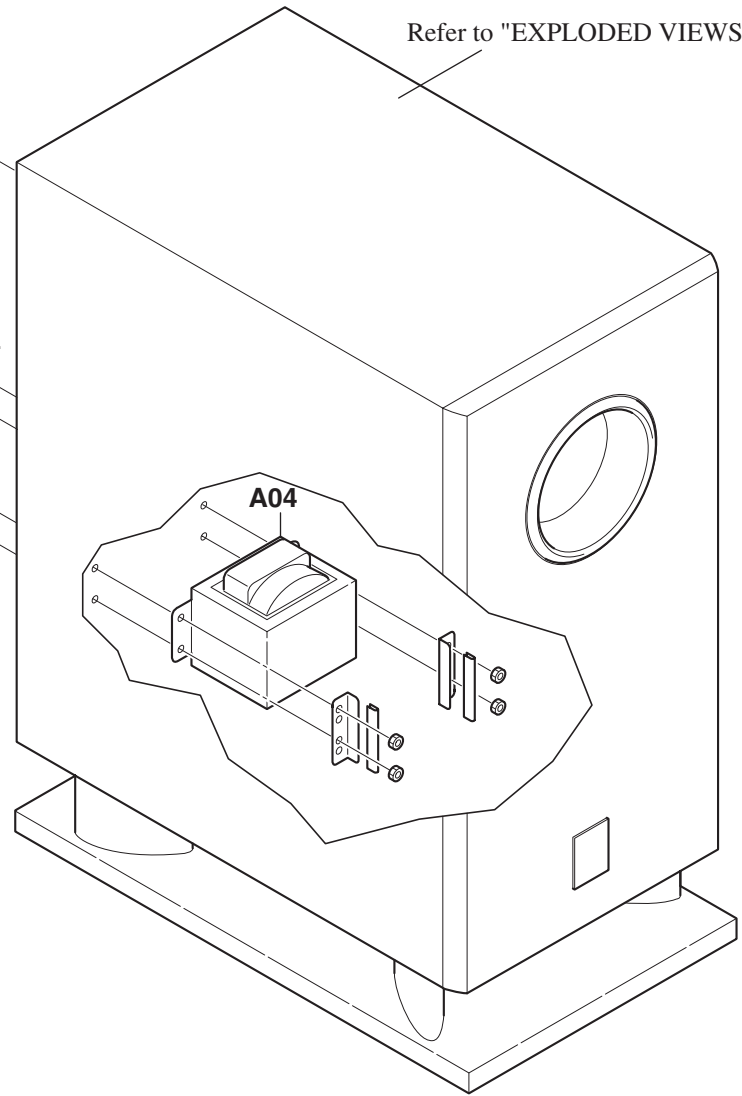
EXPLODED VIEWS-1

SKW-420 : POWERED SUBWOOFER



<Note>
 A06 (Power switch) :
 MDD type ---> No
 MPA type ---> Yes

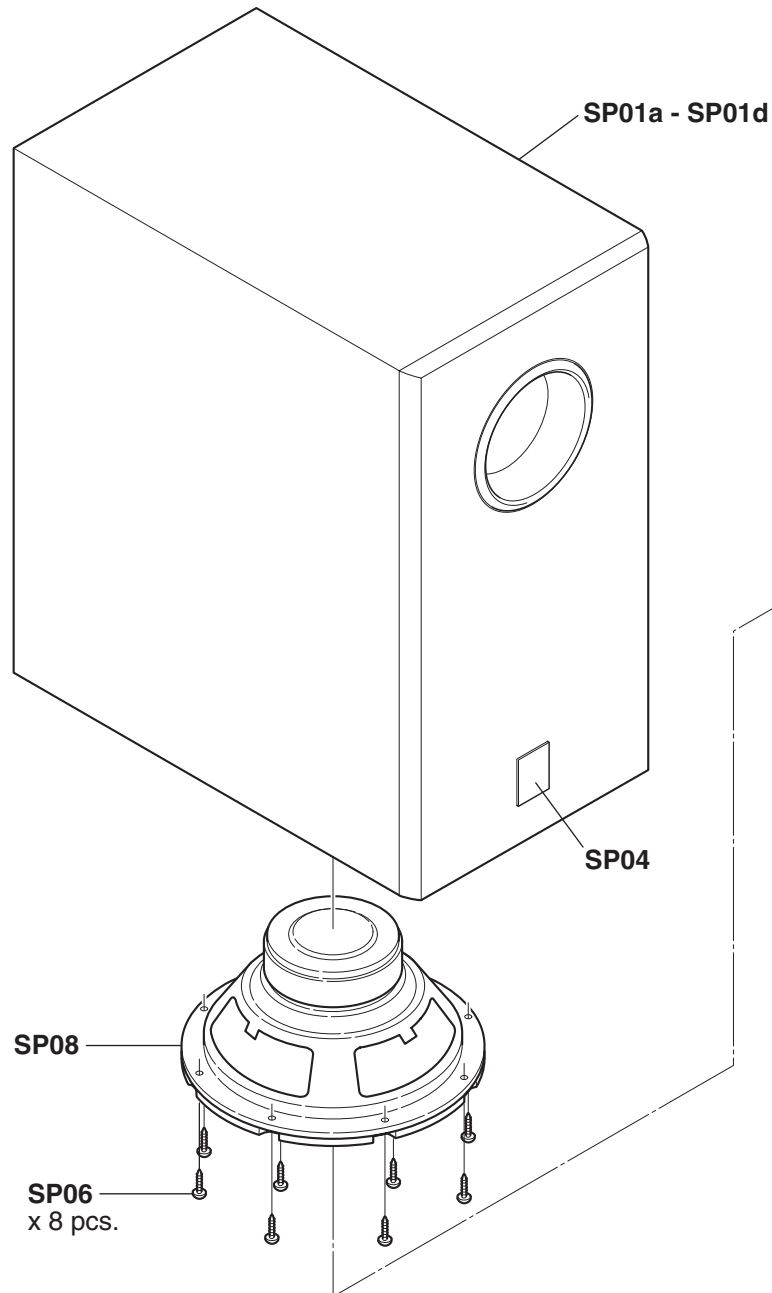
Refer to "EXPLODED VIEWS-2"



<Note>
 IC501---> Refer to "PRINTED CIRCUIT BOARD PARTS LIST"

EXPLODED VIEWS-2

SKW-420 : POWERED SUBWOOFER

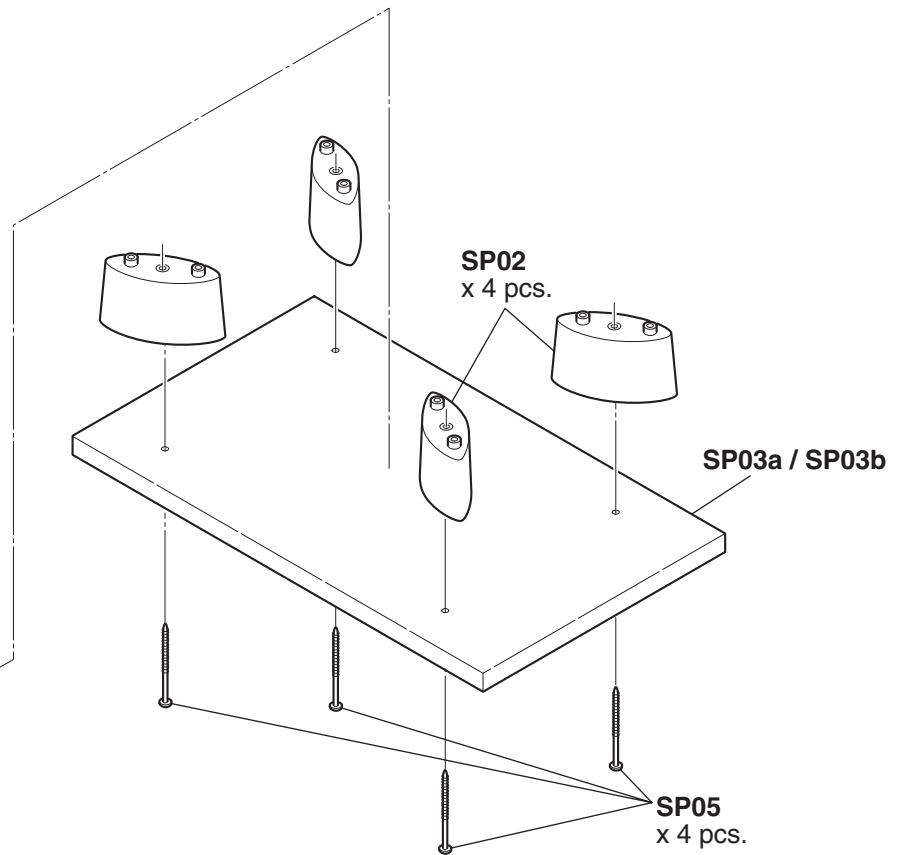


<Note>

SP05 (Screws) :

SKW-420 (for HTP-420) ---> 8 pcs.

SKW-420 (for HTP-430) ---> 4 pcs. (Design Change)

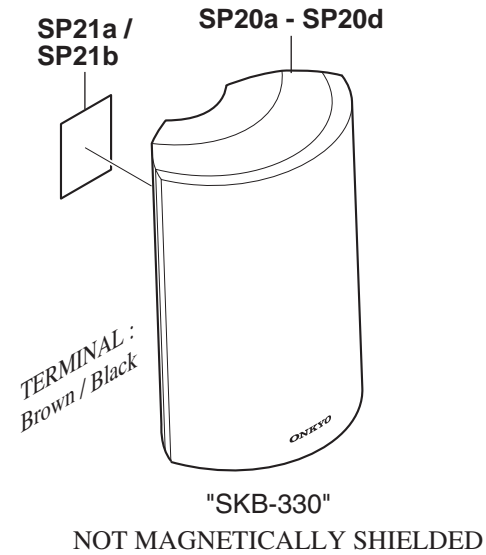
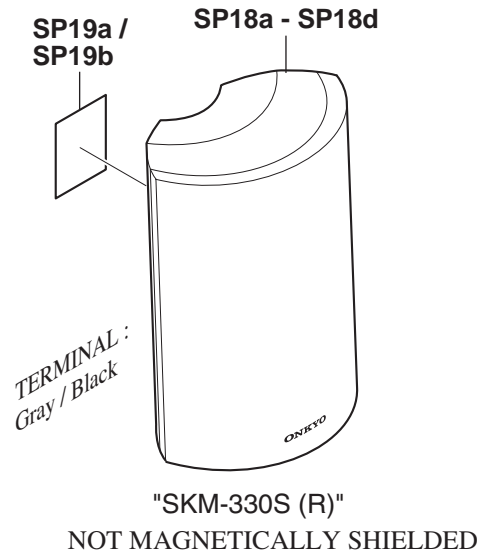
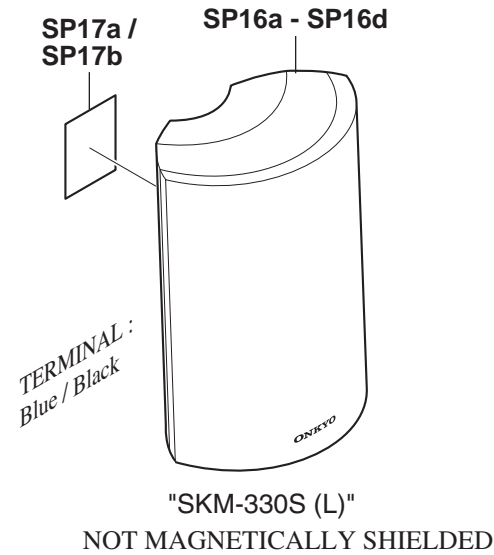
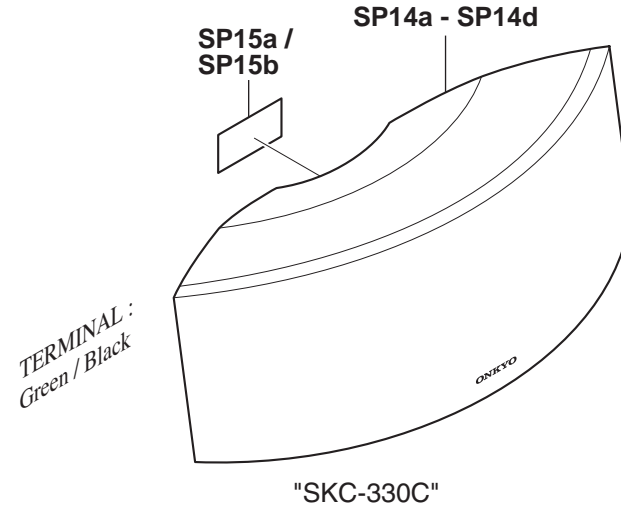
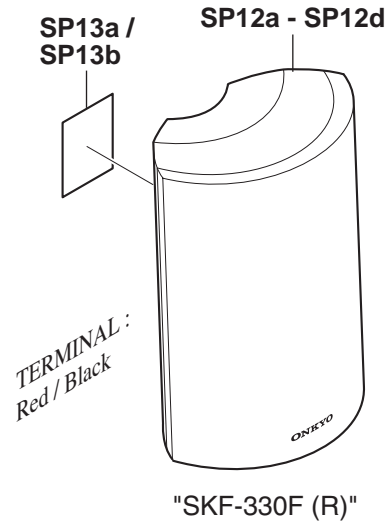
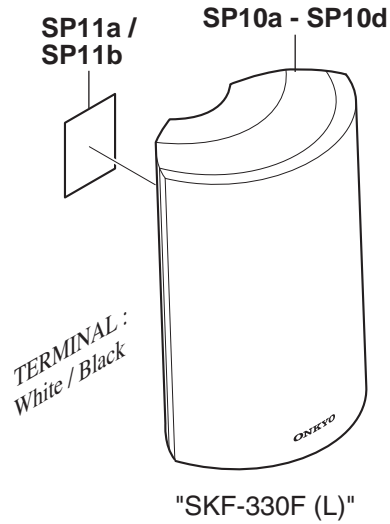


EXPLODED VIEWS-3

SKF-330F / SKC-330C / SKM-330S / SKB-330

<Note>

Cannot remove the speaker grill.

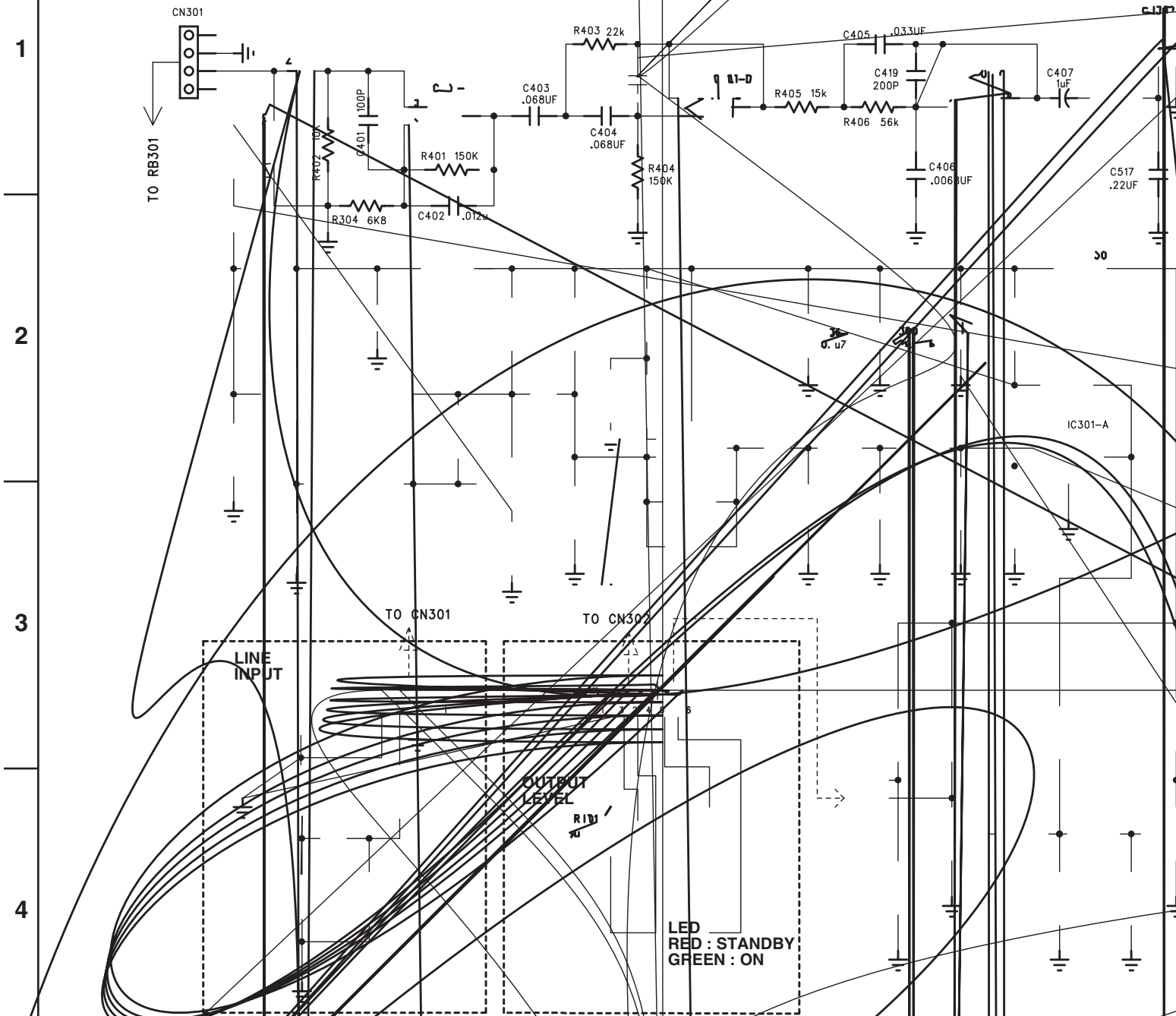


<Note>

USA model : inch nut

Australian model : mm nut

SCHEMATIC DIAGRAM SKW-420 : POWERED SUBWOOFER



U02 INPUT PC BOARD

U03 VR / LED PC BOARD

U01 M

<Note>
 POWER SWITCH* / C1**
 MDD type -- No
 MPA type -- Yes

<Note>
 C913*** / C914***
 MDD type -- Yes
 MPA type -- No

AC 120V / 60Hz
 AC 230-240V / 50Hz

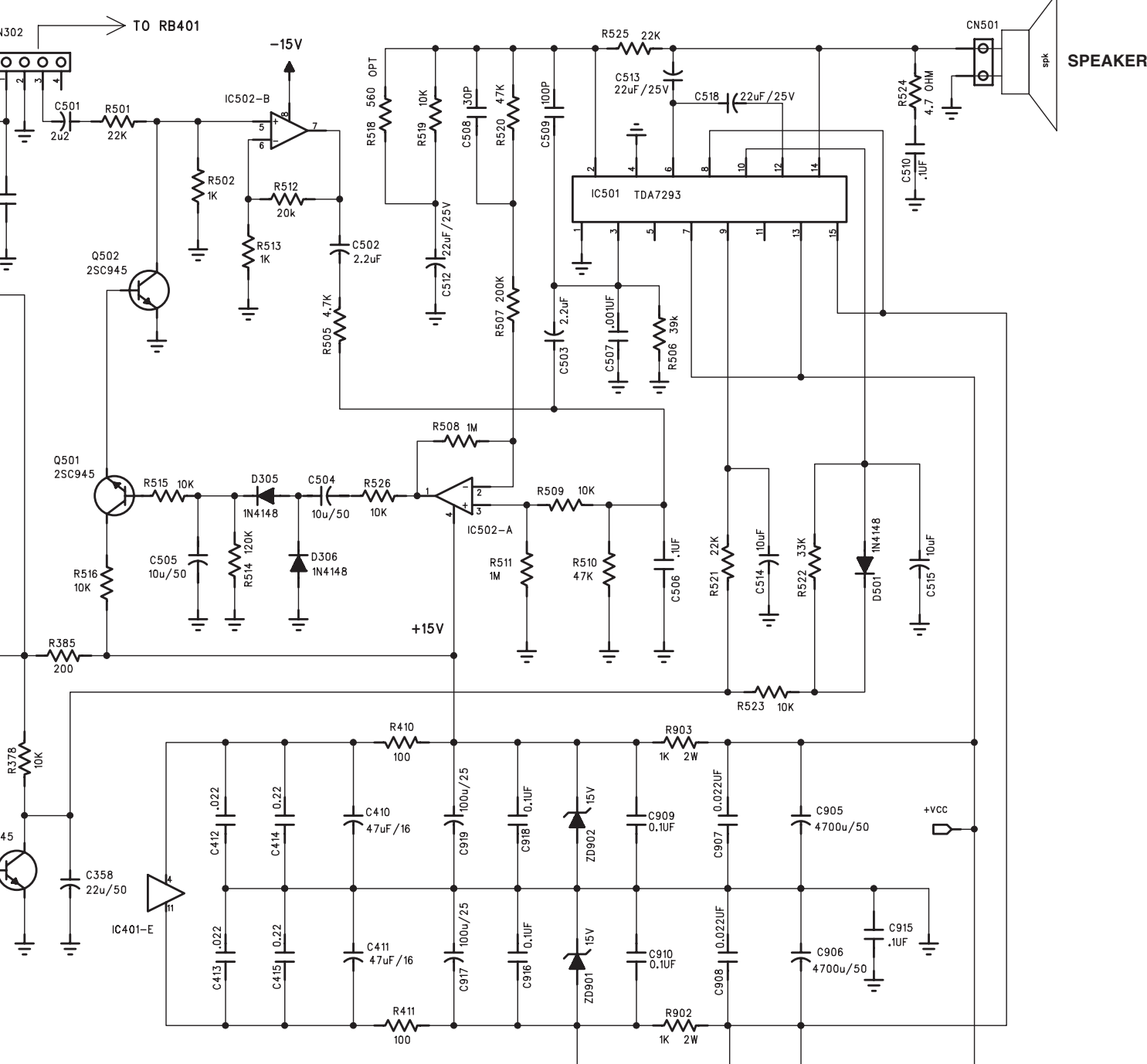
E

F

G

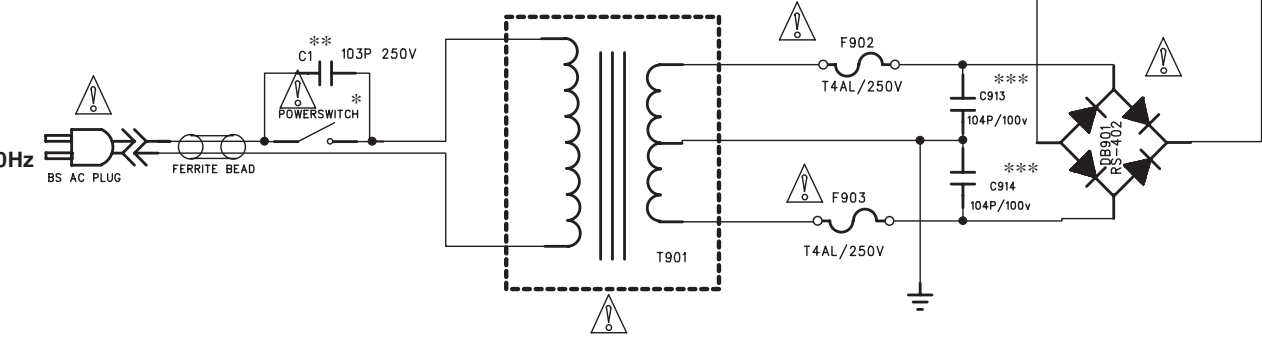
H

TO RB401



SPEAKER

MAIN PC BOARD



SCHEMATIC DIAGRAM
SKW-420 : POWERED SUBWOOFER

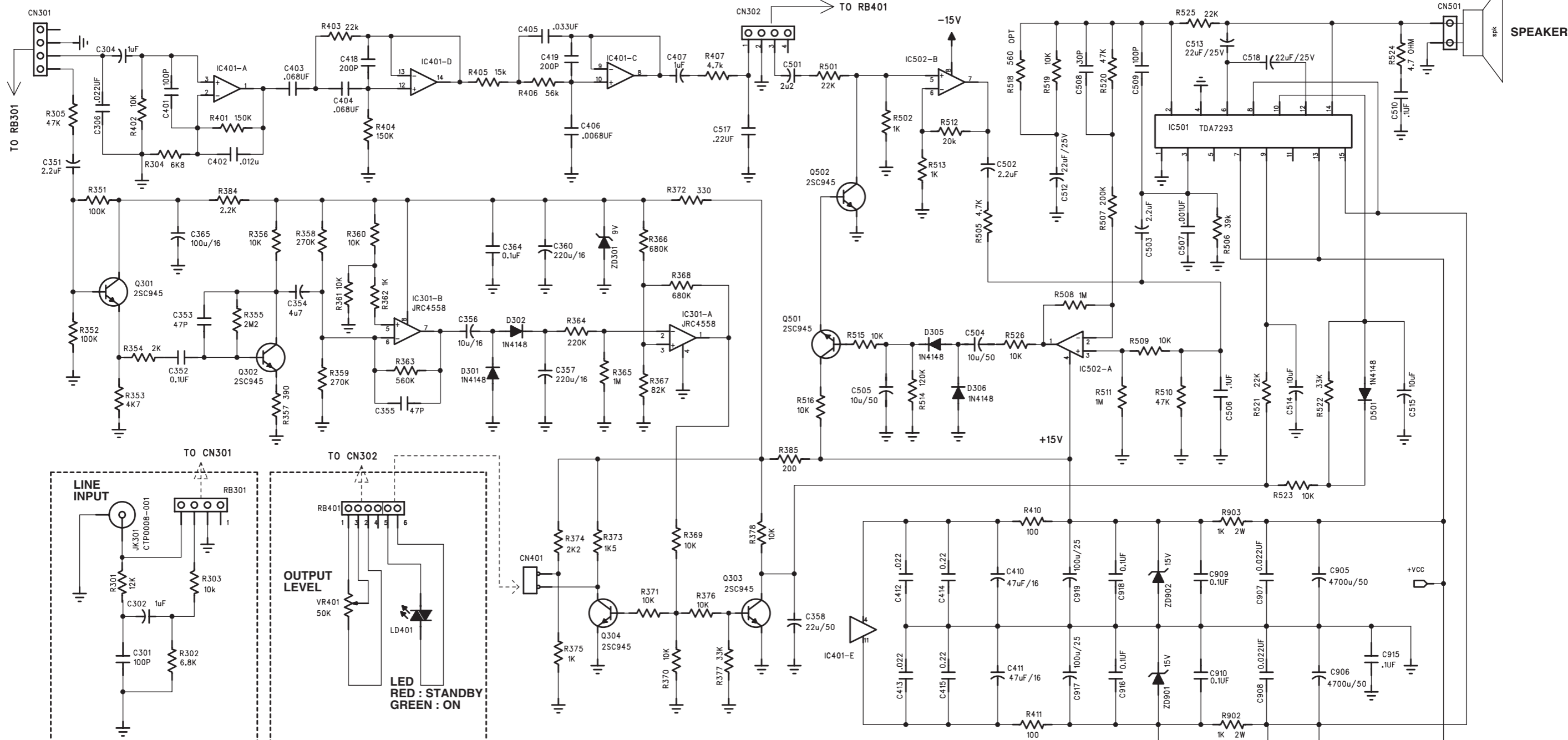
1

2

3

4

5



U02 INPUT PC BOARD

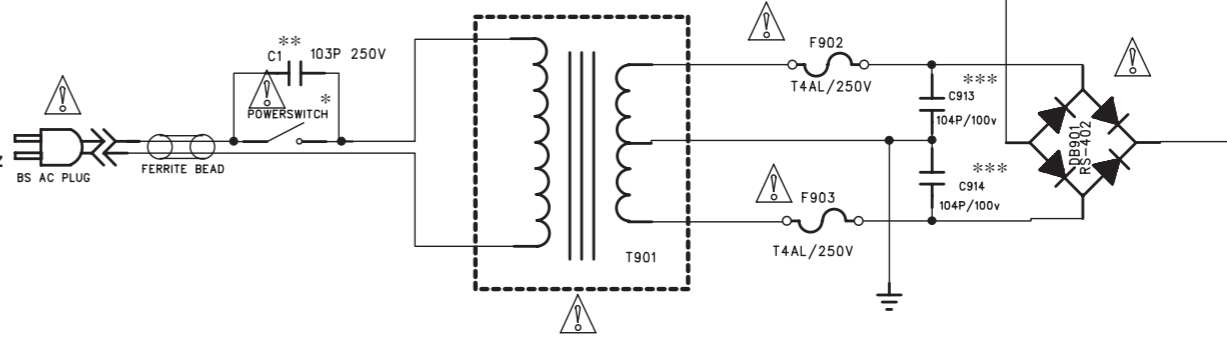
U03 VR / LED PC BOARD

U01 MAIN PC BOARD

<Note>
POWER SWITCH* / C1**
MDD type --- No
MPA type --- Yes

<Note>
C913*** / C914***
MDD type --- Yes
MPA type --- No

AC 120V / 60Hz
AC 230-240V / 50Hz



SPEAKER

A B C D

PRINTED CIRCUIT BOARD VIEW
SKW-420 : POWERED SUBWOOFER

U01 MAIN PC BOARD

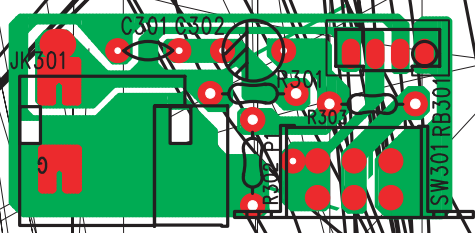
1

2

3

U02 INPUT PC BOARD

U03 VR / LED PC BOARD



No PC board view
Look over the actual PC board on hand

HTP-430

EXPLODED VIEW PARTS LIST

NOTE : THE COMPONENTS IDENTIFIED BY THE MARK
! ARE CRITICAL FOR RISK OF FIRE AND
ELECTRIC SHOCK. REPLACE ONLY WITH PART
NUMBER SPECIFIED.

<Notes>

(B) : Black model

(S) : Silver model

<MDD> : USA model

<MPA> : Australian model

REF. NO.	PART NAME	DESCRIPTION	Q'TY	PART NO. (SN)	MARKS
EXPLODED	SKW-420(B)/(GY) : POWERED SUBWOOFER				
EXPLODED	SP01a	CABINET ASS'Y (B)	Black	1	ANK8W680B-BM10 <MDD> (B)
EXPLODED	SP01b	CABINET ASS'Y (GY)	Gray	1	ANK8W680S-BM10 <MDD> (S)
EXPLODED	SP01c	CABINET ASS'Y (B)	Black	1	ANK8W680B-BM30 <MPA> (B)
EXPLODED	SP01d	CABINET ASS'Y (GY)	Gray	1	ANK8W680S-BM30 <MPA> (S)
EXPLODED	SP02	FOOT	D87.5 x D37.5 x H50 HOPS BLK	4	BPE80000700AA
EXPLODED	SP03a	BOTTOM BOARD	(B) PVC	1	ANF810035-15W5 (B)
EXPLODED	SP03b	BOTTOM BOARD	(S) PVC	1	ANF810035-15W6 (S)
EXPLODED	SP04	FRONT PLATE	SKW-420 / ONKYO NAME PLATE	1	BPL8001470001
EXPLODED	SP05	WOOD SCREW	D8 x D4 x L75 (FOR FOOT)	4	NST8550514750
EXPLODED	SP06	WOOD SCREW	4STT+20A (FOR AMPLIFIER / SP)	18	837440204
EXPLODED	SP08	WOOFER SPEAKER	20cm 4ohm 50W	1	W20178A
EXPLODED	A01	REAR PANEL	"SKW-420" SPCC 190 x 120 x T2.0mm	1	GSE4001750001 <MDD>
EXPLODED	A01	REAR PANEL	"SKW-420" SPCC 190 x 120 x T2.0mm	1	GSE4001750004 <MPA>
EXPLODED	A02	AC CORD	LINE CORD 2P 1800mm BLK POLARIZE	1	VPA0040120010 ! <MDD>
EXPLODED	A02	AC CORD	LINE CORD 2P 1980mm BLK SAA	1	VPE001014-0030 ! <MPA>
EXPLODED	A03	BUSHING	AC LINE BUSHING	1	DBU001002-0011 !
EXPLODED	A04	POWER TRANSFORMER	AC120V / 60Hz 100W	1	TTI1120010120 ! <MDD>
EXPLODED	A04	POWER TRANSFORMER	AC230 / 240V / 50Hz 100W	1	TTI4234100010 ! <MPA>
EXPLODED	A05	SCREW	M4.0 x P0.7 x L25mm (FOR TRANS)	4	HSD1431033250
EXPLODED	A06	POWER SWITCH	ROCKER 5A AC 250V TV-5	1	MSW0080040010 ! <MPA>
EXPLODED	F902, F903	FUSE	4A / 250V SLOW WALT	2	KSA0204000011 ! <MDD>
EXPLODED	F902, F903	FUSE	4A / 250V SLOW 5ST	2	KSA0204000020 ! <MPA>
EXPLODED	U01	MAIN PC BOARD ASS'Y	MAIN PC BOARD ASS'Y	1	APE401211-5003 ! <MDD>
EXPLODED	U01	MAIN PC BOARD ASS'Y	MAIN PC BOARD ASS'Y	1	APE401211-5002 ! <MPA>
EXPLODED	<Note>				
EXPLODED	U01 : MAIN PC BOARD ASS'Y = PCB BRACKET + HEAT SINK + ALL PARTS FOR MAIN PC BOARD				
EXPLODED	U02	INPUT PC BOARD ASS'Y	INPUT PC BOARD ASS'Y	1	APE4012125001
EXPLODED	<Note>				
EXPLODED	U02 : INPUT PC BOARD ASS'Y = INPUT PC BOARD with RCA JACK + CORD ASS'Y				
EXPLODED	U03	VR / LED PC BOARD ASS'Y	VR / LED PC BOARD ASS'Y	1	APE4012135001
EXPLODED	<Note>				
EXPLODED	U03 : VR / LED PC BOARD ASS'Y = VR / LED PC BOARD with VR / LED / CORD ASS'Y etc.				
EXPLODED	SKF-330F(B)/(S) : FRONT SPEAKERS (L)				
EXPLODED	SP10a	COMPLETE UNIT	"SKF-330F (B) L" / (Inch nut)	1	ASL5M0430-BM03 <MDD> (B)
EXPLODED	SP10b	COMPLETE UNIT	"SKF-330F (S) L" / (Inch nut)	1	ASL5M0430-BM04 <MDD> (S)
EXPLODED	SP10c	COMPLETE UNIT	"SKF-330F (B) L" / (mm nut)	1	ASL5M0430-BM01 <MPA> (B)
EXPLODED	SP10d	COMPLETE UNIT	"SKF-330F (S) L" / (mm nut)	1	ASL5M0430-BM02 <MPA> (S)
EXPLODED	SP11a	BACK LABEL (L)	BLACK	1	YLB5101860008 <MDD>
EXPLODED	SP11b	BACK LABEL (L)	GRAY	1	YLB5101860002 <MPA>
EXPLODED	SKF-330F(B)/(S) : FRONT SPEAKERS (R)				

EXPLODED	SP12a	COMPLETE UNIT	"SKF-330F (B) R" / (Inch nut)	1	ASL5M0430-BM03	<MDD> (B)
EXPLODED	SP12b	COMPLETE UNIT	"SKF-330F (S) R" / (Inch nut)	1	ASL5M0430-BM04	<MDD> (S)
EXPLODED	SP12c	COMPLETE UNIT	"SKF-330F (B) R" / (mm nut)	1	ASL5M0430-BM01	<MPA> (B)
EXPLODED	SP12d	COMPLETE UNIT	"SKF-330F (S) R" / (mm nut)	1	ASL5M0430-BM02	<MPA> (S)
EXPLODED	SP13a	BACK LABEL (R)	BLACK	1	YLB5101860009	<MDD>
EXPLODED	SP13b	BACK LABEL (R)	GRAY	1	YLB5101860003	<MPA>
EXPLODED	SKC-330C(B)/(S) : CENTER SPEAKER					
EXPLODED	SP14a	COMPLETE UNIT	"SKC-330C (B)" / (Inch nut)	1	ASL5C0430-BM03	<MDD> (B)
EXPLODED	SP14b	COMPLETE UNIT	"SKC-330C (S)" / (Inch nut)	1	ASL5C0430-BM04	<MDD> (S)
EXPLODED	SP14c	COMPLETE UNIT	"SKC-330C (B)" / (mm nut)	1	ASL5C0430-BM01	<MPA> (B)
EXPLODED	SP14d	COMPLETE UNIT	"SKC-330C (S)" / (mm nut)	1	ASL5C0430-BM02	<MPA> (S)
EXPLODED	SP15a	BACK LABEL	BLACK	1	YLB5101860007	<MDD>
EXPLODED	SP15b	BACK LABEL	GRAY	1	YLB5101860001	<MPA>
EXPLODED	SKM-330S(B)/(S) : SURROUND SPEAKERS (L)					
EXPLODED	SP16a	COMPLETE UNIT	"SKM-330S (B) L" / (Inch nut)	1	ASL5U0430-BM03	<MDD> (B)
EXPLODED	SP16b	COMPLETE UNIT	"SKM-330S (S) L" / (Inch nut)	1	ASL5U0430-BM04	<MDD> (S)
EXPLODED	SP16c	COMPLETE UNIT	"SKM-330S (B) L" / (mm nut)	1	ASL5U0430-BM01	<MPA> (B)
EXPLODED	SP16d	COMPLETE UNIT	"SKM-330S (S) L" / (mm nut)	1	ASL5U0430-BM02	<MPA> (S)
EXPLODED	SP17a	BACK LABEL (L)	BLACK	1	YLB5101860011	<MDD>
EXPLODED	SP17b	BACK LABEL (L)	GRAY	1	YLB5101860005	<MPA>
EXPLODED	SKM-330S(B)/(S) : SURROUND SPEAKERS (R)					
EXPLODED	SP18a	COMPLETE UNIT	"SKM-330S (B) R" / (Inch nut)	1	ASL5U0430-BM03	<MDD> (B)
EXPLODED	SP18b	COMPLETE UNIT	"SKM-330S (S) R" / (Inch nut)	1	ASL5U0430-BM04	<MDD> (S)
EXPLODED	SP18c	COMPLETE UNIT	"SKM-330S (B) R" / (mm nut)	1	ASL5U0430-BM01	<MPA> (B)
EXPLODED	SP18d	COMPLETE UNIT	"SKM-330S (S) R" / (mm nut)	1	ASL5U0430-BM02	<MPA> (S)
EXPLODED	SP19a	BACK LABEL (R)	BLACK	1	YLB5101860010	<MDD>
EXPLODED	SP19b	BACK LABEL (R)	GRAY	1	YLB5101860004	<MPA>
EXPLODED	SKB-330(B)/(S) : SURROUND BACK SPEAKER					
EXPLODED	SP20a	COMPLETE UNIT	"SKB-330 (B)" / (Inch nut)	1	ASL5U0430-BM07	<MDD> (B)
EXPLODED	SP20b	COMPLETE UNIT	"SKB-330 (S)" / (Inch nut)	1	ASL5U0430-BM08	<MDD> (S)
EXPLODED	SP20c	COMPLETE UNIT	"SKB-330 (B)" / (mm nut)	1	ASL5U0430-BM05	<MPA> (B)
EXPLODED	SP20d	COMPLETE UNIT	"SKB-330 (S)" / (mm nut)	1	ASL5U0430-BM06	<MPA> (S)
EXPLODED	SP21a	BACK LABEL	BLACK	1	YLB510186-0012	<MDD>
EXPLODED	SP21b	BACK LABEL	GRAY	1	YLB510186-0006	<MPA>

HTP-430

PRINTED CIRCUIT BOARD PARTS LIST

	CIRCUIT NO.	PART NAME	DESCRIPTION	Q'TY	PART NO. (SN)	MARKS
	SKW-420(B)/(GY) : POWERED SUBWOOFER					
PWB	IC501	POWER IC	15PIN TDA7293	1	RHI007293-0001	
PWB	DB901	DIODE	RS402L 4A 100V	1	RHD2040100011	!

ONKYO CORPORATION

Sales & Product Planning Div. : 2-1, Nisshin-cho, Neyagawa-shi, OSAKA 572-8540, JAPAN
Tel: 072-831-8023 Fax: 072-831-8124

ONKYO U.S.A. CORPORATION

18 Park Way, Upper Saddle River, N.J. 07458, U.S.A.
Tel: 201-785-2600 Fax: 201-785-2650 <http://www.us.onkyo.com/>

ONKYO EUROPE ELECTRONICS GmbH

Liegnitzerstrasse 6, 82194 Groebenzell, GERMANY
Tel: +49-8142-4401-0 Fax: +49-8142-4401-555 <http://www.eu.onkyo.com/>

ONKYO EUROPE UK Office

Suite 1, Gregories Court, Gregories Road, Beaconsfield, Buckinghamshire, HP9 1HQ
UNITED KINGDOM Tel: +44-(0)1494-681515 Fax: +44(0)-1494-680452

ONKYO CHINA LIMITED

Units 2102-2107, Metroplaza Tower I, 223 Hing Fong Road, Kwai Chung,
N.T., HONG KONG Tel: 852-2429-3118 Fax: 852-2428-9039
<http://www.ch.onkyo.com/>

